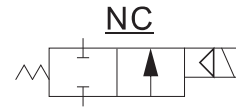
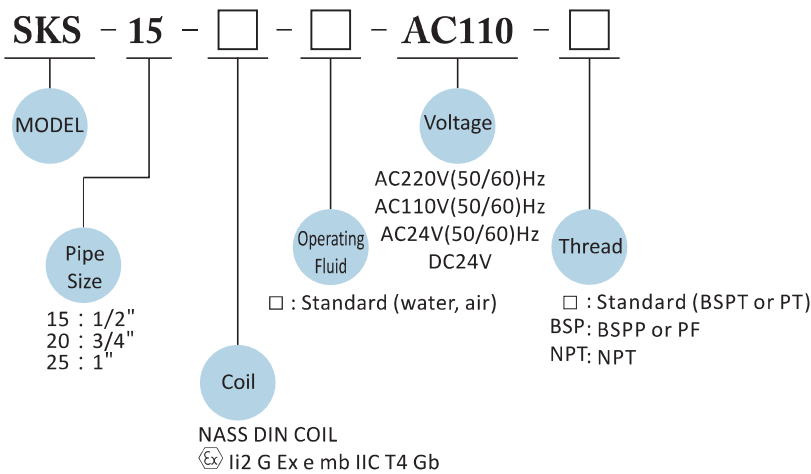


# SKS-15~25



## PRODUCT DESCRIPTION

- SKS series is multiplex, piston guiding, conductive, and normally closed (NC)2/2 way solenoid valve.
- Explosion proof level: EX II2 G Ex e mb IIC T4 Gb
- Water proof level : IP 67
- Recommend to apply to frequent operation
- Applied fluid type : water, air, light oil

## CAUTIONS:

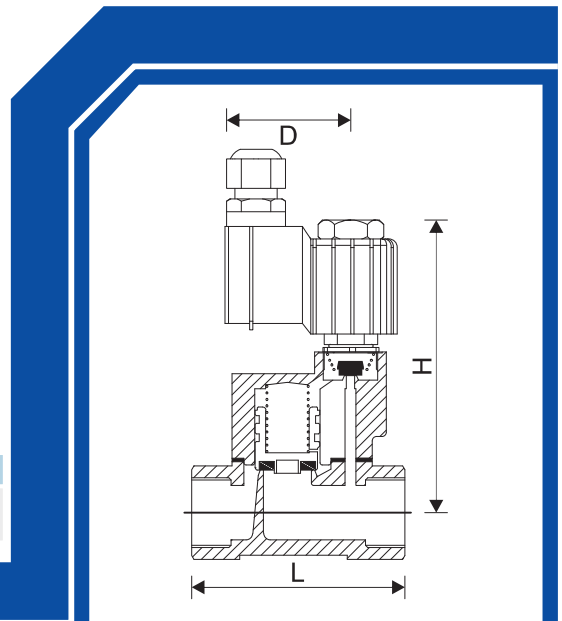
- Minimum pressure to open: over 0.5kgf-cm<sup>2</sup>
- Before pipelining, the pipe line must be very clean without any contaminants or impurity.
- To extend the lifetime, Y-line filter should be installed in the front end of solenoid valve.
- Fluid temperature should be under 70°C
- Ambient temperature should be under 60°C
- AC voltage tolerance: ± 10%; DC voltage tolerance: ± 1%
- It should be installed horizontally; vertical installation is not advisable.

## Not Suitable For Fluid As Below:

- Liquid status when it is in high temperature; solid status when it is in low temperature.
- Corrosive fluid
- Viscosity over 20cst

## MATERIAL:

| PARTS    | Coil                      | Tube               | Spring             | Core               | Plug  | Piston Spring      | Piston             | Piston plug | Valve body         |
|----------|---------------------------|--------------------|--------------------|--------------------|-------|--------------------|--------------------|-------------|--------------------|
| MATERIAL | NASS ex-proof<br>DIN COIL | Stainless<br>steel | Stainless<br>steel | Stainless<br>steel | VITON | Stainless<br>steel | Stainless<br>steel | PTFE        | Stainless<br>steel |



## SPECIFICATION

| MODEL  | Waterproof<br>DIN/flying<br>lead Coil | NASS<br>DIN Coil<br>(IP65) | PIPE<br>SIZE | CV  | ORIFICE | FLUID TEMP.<br>(°C) | Operating Pressure kgf / cm <sup>2</sup> (bar) |        |       |           |     | Dimension (mm) |     |    | Weight<br>(kg) |
|--------|---------------------------------------|----------------------------|--------------|-----|---------|---------------------|--|--------|-------|-----------|-----|----------------|-----|----|----------------|
|        |                                       |                            |              |     |         |                     | Water  | Air    | Steam | Light oil | Gas | L              | H   | D  |                |
| SKS-15 |                                       |                            | 1/2"         | 4.0 | 17mm    | -5°C ~ +70°C        | 0.5~10   | 0.5~10 |       |           |     | 84             | 170 | 62 | 1.61           |
| SKS-20 |                                       |                            | 3/4"         | 6.0 | 17mm    | -5°C ~ +70°C        | 0.5~10   | 0.5~10 |       |           |     | 84             | 171 | 62 | 1.68           |
| SKS-25 |                                       |                            | 1"           | 12  | 22mm    | -5°C ~ +70°C        | 0.5~10   | 0.5~10 |       |           |     | 98             | 181 | 62 | 2.08           |

Explosion Proof Series